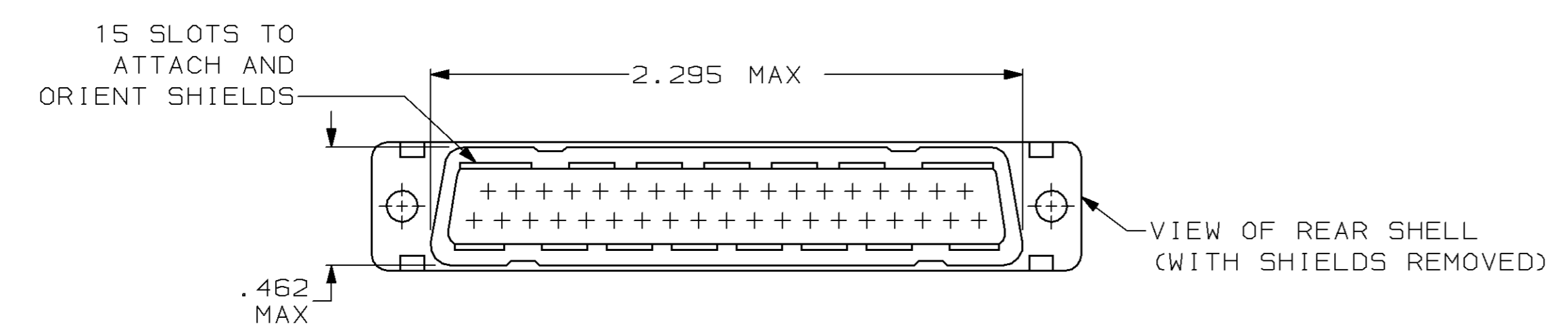
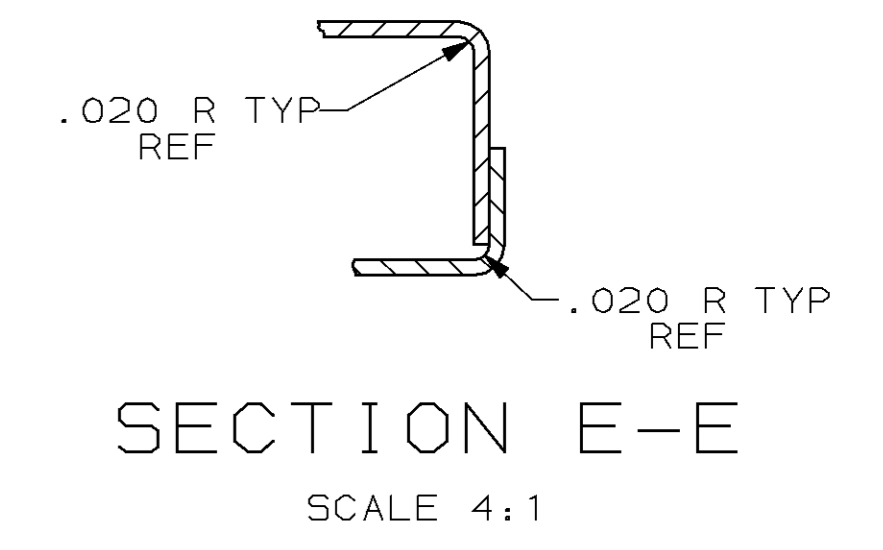
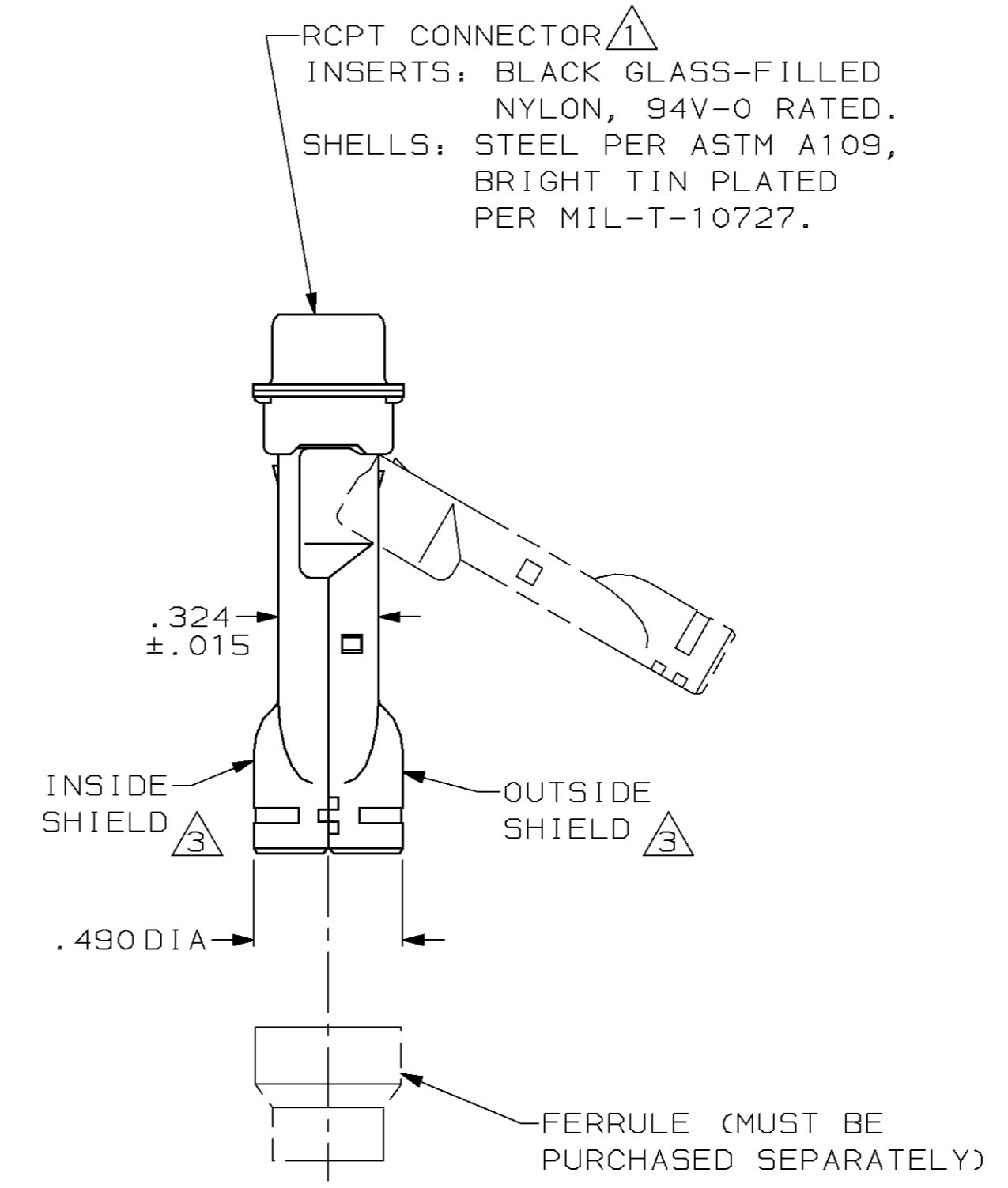
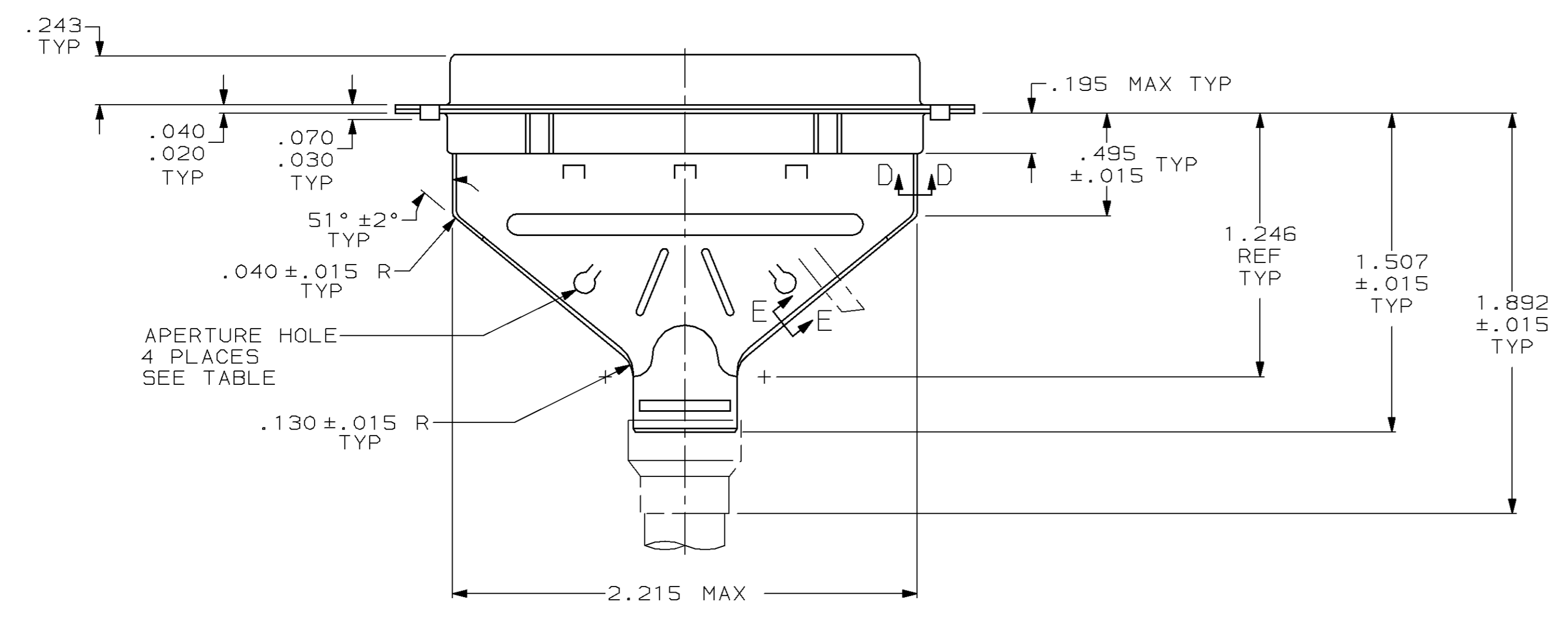
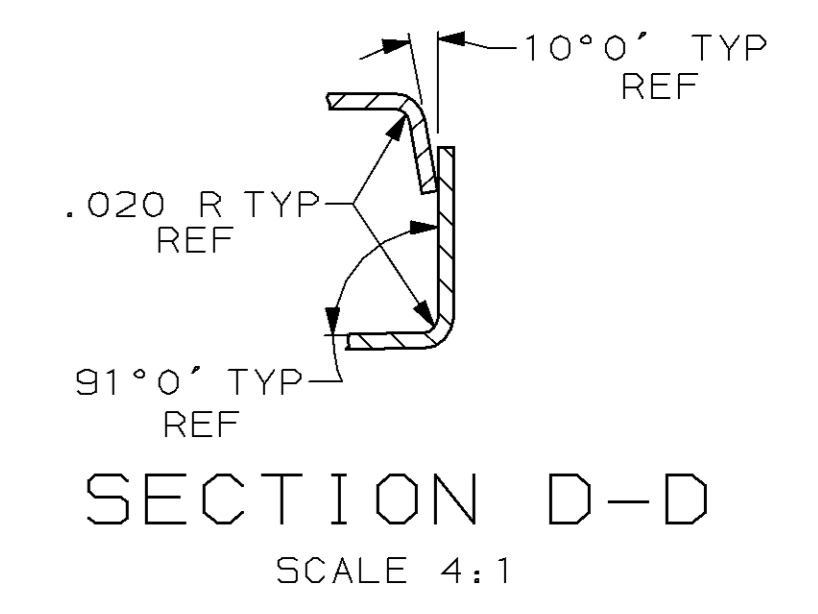
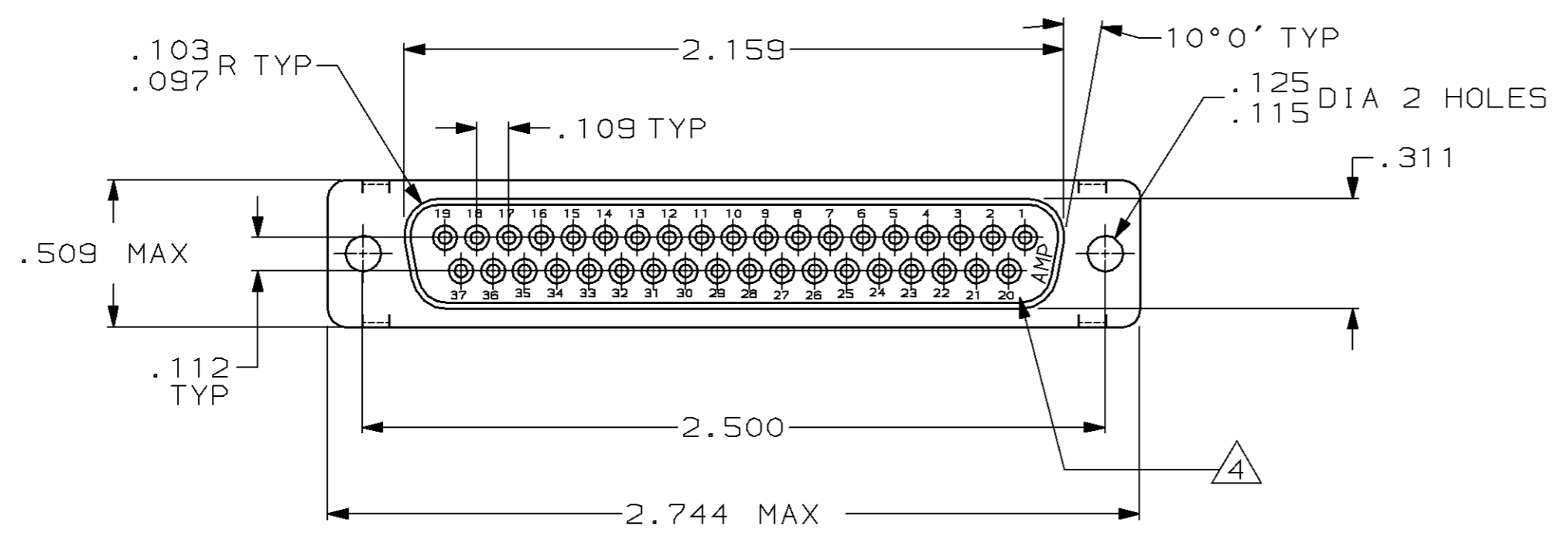


LOC		DIST		P		F		ZONE		LTR		REVISIONS			
BD	48											DESCRIPTION	DATE	APPD	
												A	REDRAWN	6/1/90	-
												B	REV PER ECN BD4493	12/18/90	-
												C	ADDED-2 NPR3889 WAS 91-5788-5-1	01/02/92	TMS
												D	OBS -2 PER ECN BD5856	01/17/92	TMS
												E	REACTIVATED -2 PER NPR 3975	02/14/92	TMS
												F	OBS -2 PER EC 0020-724-95	11 MAR 96	JCS



- △ RCPT ACCEPTS SIZE 20 SOCKET CONTACTS (CONTACTS MUST BE ORDERED SEPARATELY).
- 2. ALL PARTS SHIPPED UNASSEMBLED, EACH PART INDIVIDUALLY BULK PACKED.
- △ SHIELDS: MATERIAL-.020 THICK STEEL, TIN PLATED PER MIL-T-10727.
- △ RAISED CAVITY IDENTIFICATION AND AMP TRADEMARK.

OBSOLETE	WITHOUT	747571-2
	WITH	747571-1
APERTURE HOLE		PART NUMBER

DO NOT SCALE PRINT. UNLESS SPECIFIED DIMENSIONS IN MILLIMETERS TOLERANCES ON: 2 PLC DEC ± - 3 PLC DEC ± .005 ANGLES ± 0°30'	DR 6/1/90 A. STAUB BG CHK 8-31-90 J. McCLINTON APPD 9-4-90 BOB TAYLOR APPD 9-4-90 J. ASSINI PRODUCT SPEC -	AMP INCORPORATED Harrisburg, Pa. 17105	
SEE CALL OUT △	APPLICATION SPEC -	NAME	KIT, RCPT, SHIELDING HARDWARE, SIZE 4, 37 POSN, HDP-20, AMPLIMITE™
FINISH SEE CALL OUT △	WEIGHT -	SIZE	D 00779
		FSCM NO	747571
		DRAWING NO	747571
		SCALE	2:1
		SHEET	1 OF 1